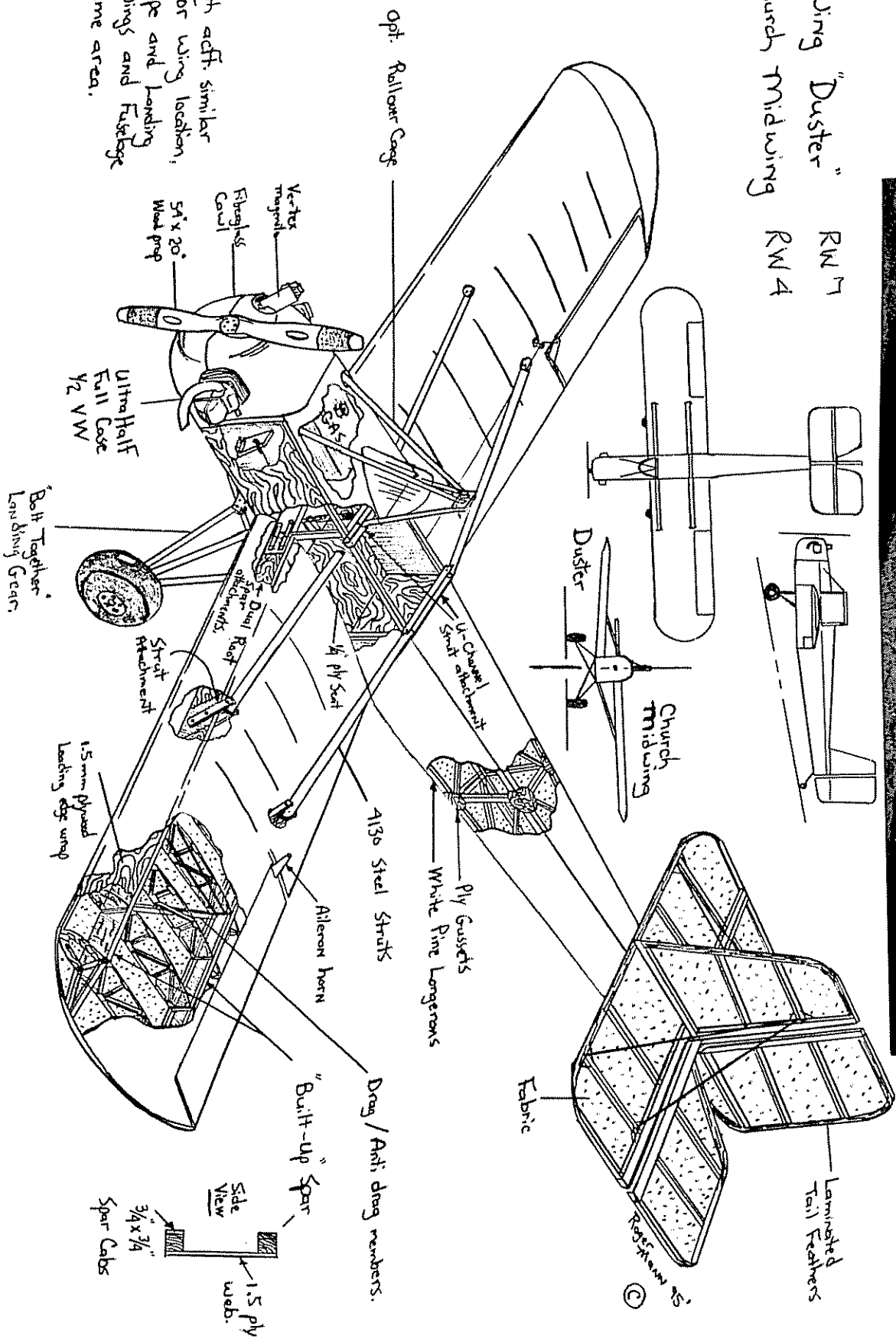




# Regiving "Duster" & Church Midwing

RW 1  
RW 4



Note: Both a/c's similar except for wing location, Tail shape and Landing Gear. Wings and Fuselage have same area.